

RG-Series

SINGLE/DOUBLE POLE ROCKER & PADDLE SWITCHES

The double pole version of the R-Series incorporates the same sleek lines as the original Curvette, in a double pole envelope. Features include silver-plated butt-action contacts which afford ratings to 20A/125, 15A 250VAC and withstand peak inrush currents up to 100 amps. Paddle or rocker actuators and a choice of solder lug, .250 Tab and wire lead terminations enable this switch to adapt to high current applications.



Product Highlights:

- ♦ Ratings to 20A
- ♦ UL, CSA and VDE approved
- ♦ Rocker or Paddle actuators
- ♦ Fits Euro or American standard mounting holes

Typical Applications:

- ♦ Power Supply
- ♦ Appliance
- ♦ Exercise Equipment
- ♦ Music Equipment



Dielectric Strength

UL/CSA:
1000V - live to dead metal parts & opposite polarity
VDE:
4000V - live to dead metal parts;
1250V - opposite polarity & across open contacts

Electrical Life

50,000 cycles

Mechanical Life

100,000 cycles

Operating Temperature

-40°F to 185°F (-40°C to 85°C)

RGSCA901 - R - B - B - A

1 Base Part Number

2 Actuator Style

3 Actuator Color

4 Bezel Color

5 Rocker Legend

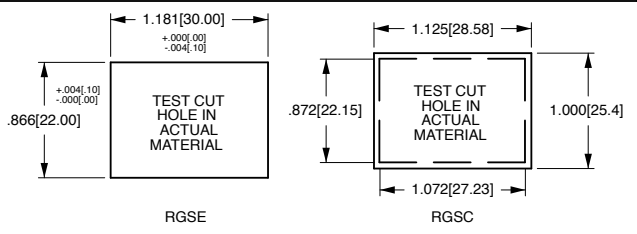
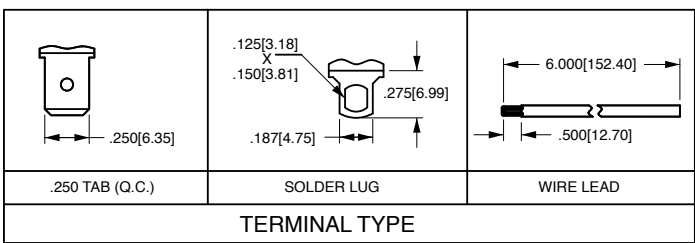
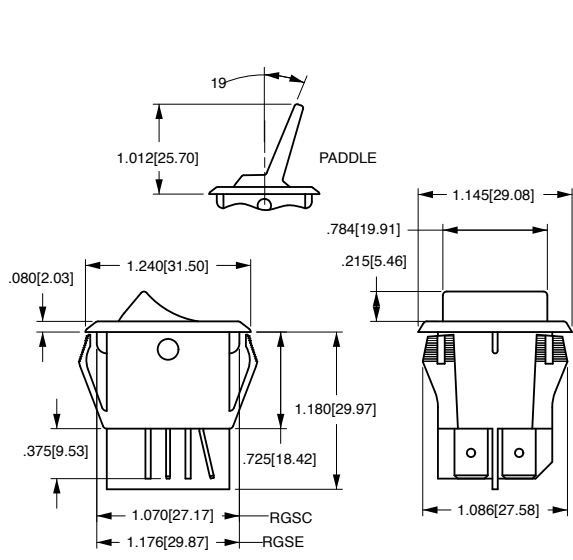
1 BASE PART NUMBER: SERIES / CIRCUITRY / RATING ¹ / TERMINATION			
15A 250 VAC, 20A 125 VAC, 3/4 HP 125-250 VAC, 14(6)A 250 VAC			
	Solder Lugs	.250 Tabs	Wire Leads
Standard Base			
OFF-NONE-ON (Single Pole)	RGSCA900	RGSCA901	RGSCA905
ON-NONE-ON (Single Pole)	RGSCB900	RGSCB901	RGSCB905
OFF-NONE-ON (Double Pole)	RGSCC900	RGSCC901	RGSCC905
ON-NONE-ON (Double Pole)	RGSCD900	RGSCD901	RGSCD905
European Base (22 x 30 mm cutout)			
OFF-NONE-ON (Single Pole)	RGSEA900	RGSEA901	RGSEA905
ON-NONE-ON (Single Pole)	RGSEB900	RGSEB901	RGSEB905
OFF-NONE-ON (Double Pole)	RGSEC900	RGSEC901	RGSEC905
ON-NONE-ON (Double Pole)	RGSED900	RGSED901	RGSED905
2 ACTUATOR STYLE			
P	Paddle	R	Rocker

3 ACTUATOR COLOR ¹	
B	Black
W	White

4 BEZEL COLOR ¹	
B	Black
W	White

5 ROCKER LEGEND	
	hot stamp
NO LEGEND	O
OFF-ON vertical	A
OFF-ON horizontal	B
O-I horizontal	D
O-I vertical	E
Dual OFF-ON, O-I vertical	H
Dual OFF-ON, O-I horizontal	J

Notes:
1 Additional ratings, colors and clear style actuators are available. Consult factory.



MOUNTING HOLE
Panel Thickness: .025 min - .187 max.
Specific cutout dimension range dependent on panel thickness and material.

*Manufacturer reserves the right to change product specification without prior notice.

Authorized Sales Representatives and Distributors

Click on a region of the map below to find your local representatives and distributors or visit www.carlingtech.com/findarep.



About Carling

Founded in 1920, Carling Technologies is a leading manufacturer of electrical and electronic switches and assemblies, circuit breakers, electronic controls, power distribution units, and multiplexed power distribution systems. With four ISO registered manufacturing facilities and technical sales offices worldwide, Carling Technologies Sales, Service and Engineering teams do much more than manufacture electrical components, they engineer powerful solutions! To learn more about Carling please visit www.carlingtech.com/company-profile.

To view all of Carling's environmental, quality, health & safety certifications please visit www.carlingtech.com/environmental-certifications

Worldwide Headquarters

Carling Technologies, Inc.
60 Johnson Avenue, Plainville, CT 06062
Phone: 860.793.9281 **Fax:** 860.793.9231
Email: sales@carlingtech.com

Northern Region Sales Office: nrsm@carlingtech.com
Southeast Region Sales Office: sersm@carlingtech.com
Midwest Region Sales Office: mrrsm@carlingtech.com
West Region Sales Office: wrsm@carlingtech.com
Latin America Sales Office: larsm@carlingtech.com

Asia-Pacific Headquarters

Carling Technologies, Asia-Pacific Ltd.,
Suite 1607, 16/F Tower 2, The Gateway,
Harbour City, 25 Canton Road,
Tsimshatsui, Kowloon, Hong Kong
Phone: Int + 852-2737-2277 **Fax:** Int + 852-2736-9332
Email: sales@carlingtech.com.hk

Shenzhen, China: shenzhen@carlingtech.com
Shanghai, China: shanghai@carlingtech.com
Pune, India: india@carlingtech.com
Kaohsiung, Taiwan: taiwan@carlingtech.com
Yokohama, Japan: japan@carlingtech.com

Europe | Middle East | Africa Headquarters

Carling Technologies LTD
4 Airport Business Park, Exeter Airport,
Clyst Honiton, Exeter, Devon, EX5 2UL, UK
Phone: Int + 44 1392.364422 **Fax:** Int + 44 1392.364477
Email: ltd.sales@carlingtech.com

Germany: gmbh@carlingtech.com
France: sas@carlingtech.com



Carling Technologies®

Innovative Designs. Powerful Solutions.